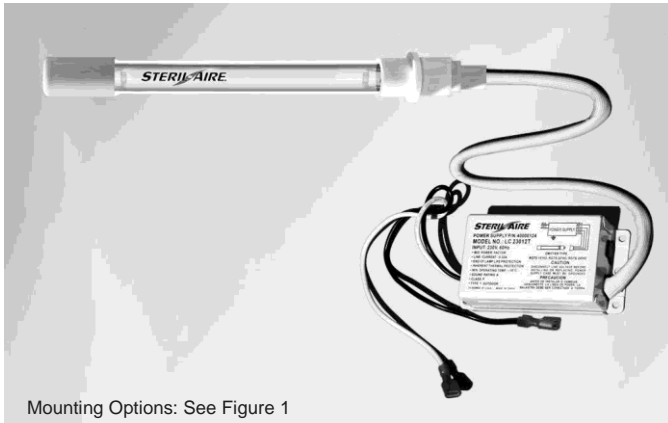


STERIL-AIRE®

UVC for HVAC®

Unitary Kit for Smaller Air Handlers

Germicidal UVC for Packaged Terminal (PTAC), Mini-Split, Split, Heat Pumps



Mounting Options: See Figure 1

Steril-Aire's Unitary Kit for Smaller Air Handlers includes a multi-patented UVC Emitter™ that provides the most economical and longest-lasting ultraviolet C performance available. The Steril-Aire Unitary solution has been tested to deliver an average of 2.5 times the output of other ultraviolet devices under HVAC operating conditions (50 °F @ 400 fpm air velocity).

Competitive UVC lights must be changed every 3-4 months because they quickly lose the output or “killing power” needed to maintain biofilm control. The Steril-Aire UVC Emitter, by contrast, has a 12-month service life. Even after a full year, Steril-Aire UVC has greater output than competitive devices deliver on Day 1! As a result, only Steril-Aire can ensure the germicidal performance you need.

Applications

The Steril-Aire Unitary Kit for Smaller Air Handlers includes proven technology designed for unitary systems less than 5 tons found primarily in individual spaces for residential and light commercial applications. These systems include packaged terminal air conditioners (PTAC), heat pumps, split systems, mini-split and ductless systems. Unitary systems are typically used in hotels/motels, dormitories, apartments, houses and smaller commercial, retail and industrial environments.

Steril-Aire's solution is designed specifically for small coils up to 15" H x 26" W. Emitters shall be installed perpendicular to the cooling coil, producing high output UVC energy to eliminate biofilm and reducing or eliminating airborne microbial contaminants. The small size power supply offers installation flexibility close to the face of the coil for continuous coil cleaning and optimum air quality.

Components can be selected based on the voltage, UVC Emitter length and a mounting solution. The UVC Kit offers installation flexibility with two voltage options and six mounting options. The voltage options include 120V or 230V. The mounting options include: Short Hooks (2), Spring Clips Mounting Kit, Flat Plate Lamp Holder (for metal housing), Flat Plate Lamp Holder (for plastic housing), Insert Lamp Holder, 16" U Bracket. The UVC Kit for Unitary Air Handlers is available in five Emitter lengths: 7.5", 10", 16", 20", 24".

Benefits

- Reduces HVAC energy costs by restoring heat transfer and net cooling capacity.
- Uses germicidal UVC irradiation proven as an effective inactivation method for mold, bacteria and viruses.
- Eliminate time-consuming, costly cleaning programs and the use of harmful chemicals and disinfectants by continuously cleaning coils and drain pans.
- Delivers up to 2.5 times the output of competitive UVC products at HVAC operating temperatures, for longer life and more reliable germicidal control.
- Offers lowest life-cycle cost of any UVC product. Return on investment is often less than one year.
- Produces no ozone or other secondary contaminants.
- Installs quickly, easily and safely.
- The widest range of mounting options in the industry.
- Improves Indoor Air Quality (IAQ).

Specifications

The Unitary Kit for Smaller Air Handlers shall be factory assembled and tested. The Kit shall consist of a power supply and a mounting solution. The single-ended Emitter shall be ordered separately.

The power supply shall be a 25 Watt unit with connector for Emitter. It shall be suitable for single-phase input power of either 120 volts or 230 volts (+/- 10%), 50 Hertz. The design shall include RF and EMI suppression. The power supply input wire length shall be 10". The Emitter to power supply sleeved wire length shall be 14".

The socket shall be a Circline® 4 pin type to facilitate connection to the Emitter for ease of installation and service.

The Emitter shall be a high output, hot cathode, T5 diameter, Circline cell-base type that produces a germicidal UVC band of

253.7 nm. The single-ended UVC Emitter shall be designed to maximize photon production, irradiance and reliability in cold air streams of 35-140 °F, 99% RH and up to 2000 fpm. It shall produce no ozone or other secondary contaminants. Optional Emitter extension cords in 11" and 32" lengths (with connectors) shall be available.

The Mounting Solution: Steril-Aire provides a variety of mounting brackets for UVC Emitters. The Unitary Kit for Smaller Air Handlers includes one of the following mounting options: Short Hooks, Spring Clips, Flat Plate Lamp Holder (for metal), Flat Plate Lamp Holder (for plastic), Insert Lamp Holder, U Bracket – each packaged with mounting screws (as required) to facilitate installation in most major brands.

The power supply shall comply with ANSI/UL Standards 153, 1598 and 1995 and CSA standards. The manufacturer shall be an ISO

This product may be covered by one or more of the following patents, others pending: 5,334,347 / 5,817,276 / 5,866,076 / 6,245,293 / 6,267,924 / 6,280,686 / 6,313,470 / 6,372,186 / 6,423,882 / 6,500,267 / 6,589,476 / 6,627,000 / 6,997,578 / 7,140,749 / 7,282,728 / 7,459,694.

Ordering Information

Unitary Kit for Smaller Air Handlers (Kit includes power supply, connectors and a mounting solution. Order Emitter separately)

Model	Part No.	Description	Emitter Length	Electrical
UNITARY Kit 120V	40000121-1	Unitary Kit; w/ 2 Spring Clips	N/A	120 V
	40000121-2	Unitary Kit; w/ 2 Short Hooks		
	40000121-3	Unitary Kit; w/ 2 Flat Plate (for metal)		
	40000121-4	Unitary Kit; w/ 2 Flat Plate (for plastic)		
	40000121-5	Unitary Kit; w/ Insert Lamp Holder		
	40000121-6	Unitary Kit; w/ 16" U Bracket		
UNITARY Kit 230V	40000121-1	Unitary Kit; w/ 2 Spring Clips	N/A	208/230 V
	40000121-2	Unitary Kit; w/ 2 Short Hooks		
	40000121-3	Unitary Kit; w/ 2 Flat Plate (for metal)		
	40000121-4	Unitary Kit; w/ 2 Flat Plate (for plastic)		
	40000121-5	Unitary Kit; w/ Insert Lamp Holder		
	40000121-6	Unitary Kit; w/ 16" U Bracket		
UVC Emitter (new and replacement)				
RGTS 7.5 HO	22000500	UVC Emitter	7.5"	20 W
RGTS 10 HO	22000400	UVC Emitter	10"	25 W
RGTS 16 HO	22000300	UVC Emitter	16"	35 W
RGTS 20 HO	22000100	UVC Emitter	20"	43 W
RGTS 24 HO	22000200	UVC Emitter	24"	50 W

OPTIONAL ACCESSORIES	Part No.
11" Emitter Extension Wire	50000111-11
32" Emitter Extension Wire	50000111-32
Cleaning Kit	90000100
Viewport	90000203
Spring Clips Mounting Kit	90000812
Short Hooks (2)	11002209
Flat Plate Lamp Holder (for metal)	90000222
Flat Plate Lamp Holder (for plastic)	90000220
Insert Lamp Holder	11005004
U Bracket – 16"	40000133
120V Replacement Power Supply for Unitary Kit	40000121
208/230V Replacement Power Supply for Unitary Kit	40000124

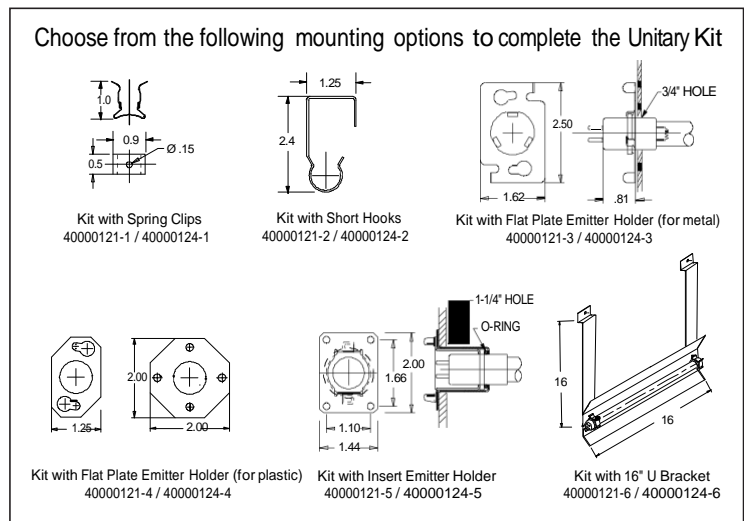


Figure 1



Steril-Aire, Inc.

Corporate Office:

2840 N. Lima Street
Burbank, CA 91504

Telephone: 818-565-1128

Fax: 818-565-1129

Website: www.steril-aire.com

Email: sales@steril-aire.com



Complies with current U.S. and Canadian safety standards for use in HVAC equipment



Registered to ISO 9001:2008
Certificate Registration No. 10002118 QM08

Represented By:



creating healthier environments

www.e-co.uk.com

solutions@e-co.uk.com

+44(0)20-3734-2089